



Job \_\_\_\_\_ Item No. \_\_\_\_\_

## HD Gas Counter Char Broilers

MODELS  HDCB1230G  HDCB2430G  HDCB3630G  HDCB4830G



Model HDCB2430G

### SPECIFICATIONS

Wells HD Gas Countertop Char broilers are a perfect match with the Wells HD Gas Hot Plates and HD Gas Griddles.

The HD Gas Char Broilers Series features extra heavy-duty cast-iron burners, cast-iron radiants and cast-iron top grates for higher heat, consistent temperatures and quicker recovery. Cast iron top grates are reversible for different score marks and may be used in a flat or sloped position. Cast iron radiants are built-to-last and provide even heat, reduced flare and enhanced flavor-profile. Durable heavy-duty cast iron burners are easily removable for cleaning and provide superior flame characteristics, even heat, higher maximum heat and gentle low heat. Each burner features operator adjustable infinite heat adjustment and On/Off control and adjustable air shutter to control air and optimize combustion.

Additional specifications include removable stainless steel front panel for easy access to components, stainless steel side panels, stainless splash guard, removable drip pan for ease of clean-up and adjustable 4" heavy-duty steel legs.

HD Gas Char Broilers ship natural gas and are field convertible to LP Gas – conversion kit included.

### STANDARD FEATURES

- Cast iron top grates – reversible for different score marks and may be used in a flat or sloped position
- Cast iron radiants for higher temperatures, even heat and enhanced flavor profiles
- Cast iron burners are easily removable for cleaning
- Each burner has adjustable heat control, On/Off control valves and adjustable air shutter for perfect combustion
- Available in 2, 4, 6 and 8 burner models
- Stainless steel front, sides and splash guard
- Easily removable front panel
- Convertible from NG to LP – conversion kit included
- Removable drip pan
- Front mounted grease trough

### OPTIONS & ACCESSORIES

- Additional set of 4 adjustable legs #20563

### PRODUCT WARRANTY

- 2 year parts and one year labor warranty

### CERTIFICATIONS



Sheet No. WELLS\_HDCB-07/14



**Wells Bloomfield** • 10 Sunnen Dr. St. Louis, MO 63143 U.S.A.  
Phone : (314) 678-6314 • Fax (314) 781-5445  
www.wellsbloomfield.com • Printed in the U.S.A.

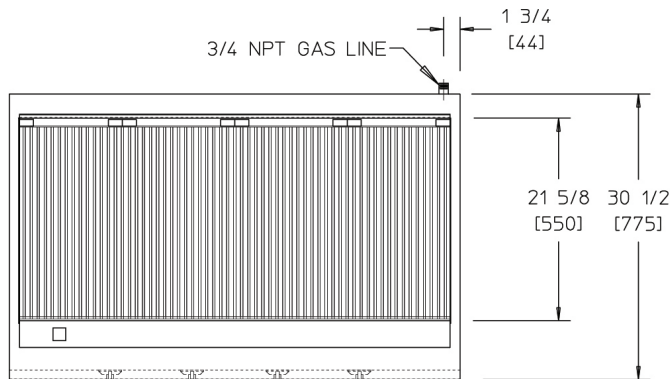
**NOTE: Specifications are subject to change without notice and are not intended for installation purposes. See installation instructions prior to installing the unit.**



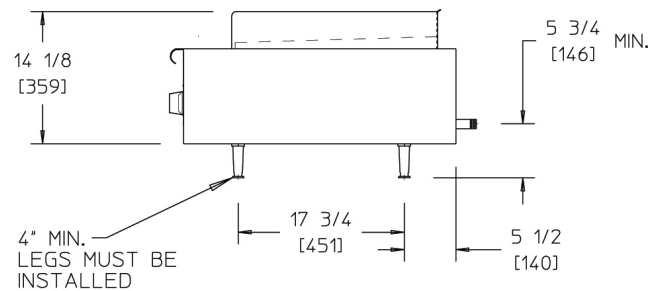
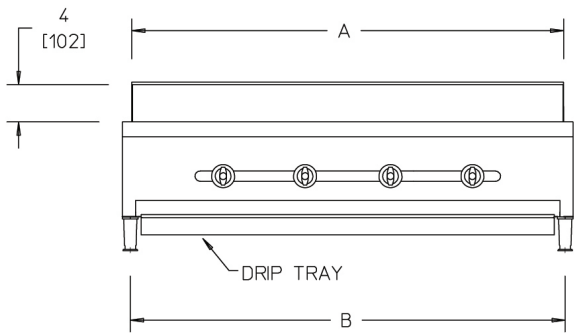
Over 90 Years Of Quality Foodservice Products And Service

# HD Gas Counter Char Broilers

MODELS  HDCB1230G  HDCB2430G  HDCB3630G  HDCB4830G



MINIMUM CLEARANCE FROM NON-COMBUSTIBLE SURFACES			
BACK	SIDE	BOTTOM	FRONT
0" (0mm)	0" (0mm)	4" (102mm)	0" (0mm)



**DIMENSIONS:** INCH [MM]

NOTE: Specifications are subject to change without notice and are not intended for installation purposes. See installation instructions at [www.wellsbloomfield.com](http://www.wellsbloomfield.com) prior to installing unit.

Model No.	Number of Controls	Width (A) (MM)	Width (B) (MM)	Depth (MM)	Height (MM) (Includes 4" legs & 4" splash guard)	BTU Rating		Approx. Weight Shipping lbs. (kg)	Approx. Weight Installed lbs. (kg)
						Natural GAS 5" W.C.	L.P. GAS 10" W.C.		
HDCB1230G	2	14" (366)	12-3/4" (324)	30-1/2 (775)	18-1/8 (461)	40,000	40,000*	139 (63)	126 (57)
HDCB2430G	4	24" (610)	22-3/4" (577)	30-1/2 (775)	18-1/8 (461)	80,000	80,000*	293 (133)	207 (94)
HDCB3630G	6	36" (914)	34-3/4" (882)	30-1/2 (775)	18-1/8 (461)	120,000	120,000*	401 (182)	298 (135)
HDCB4830G	8	48" (1220)	45-7/16" (1154)	30-1/2 (775)	18-1/8 (461)	160,000	160,000*	514 (233)	384 (174)

\*PROPANE CONVERSION KIT INCLUDED WITH EACH HOTPLATE

Due to periodic changes in designs, methods, procedures, policies and regulations, the specifications contained in this sheet are subject to change without notice. While Wells exercises good faith efforts to provide information that is accurate, we are not responsible for errors or omissions in information provided or conclusions reached as a result of using the specifications. By using the information provided, the user assumes all risks in connection with such use.



**Wells Bloomfield** • 10 Sunnen Dr. St. Louis, MO 63143 U.S.A.  
Phone : (314) 678-6314 • Fax (314) 781-5445  
[www.wellsbloomfield.com](http://www.wellsbloomfield.com) • Printed in the U.S.A.

**NOTE: Specifications are subject to change without notice and are not intended for installation purposes. See installation instructions prior to installing the unit.**